

# DOORS

LIGHT DUTY ROLL-UP

PRE-ENGINEERED  
BUILDINGS



## 650 SERIES

Transform your building's exterior and protect your assets with the economically efficient 650 Series steel-curtain roll-up door. The 650 Series was engineered to protect and maintain building envelopes in extreme conditions without the heavy, weighted elements frequently required in commercial use.

↑ **HEADROOM**  
17" (UP TO 10')  
**SIDE ROOM**  
3/4" (UP TO 8'8")  
3 1/2" (UP TO 10')

**9 1/2"**  
DRUM

**WARRANTY**  
**30/25**  
FILM/CHALK-FADE

WeatherXL



The 650 Series is wind rated up to 8'8" wide and approximately 90 MPH.

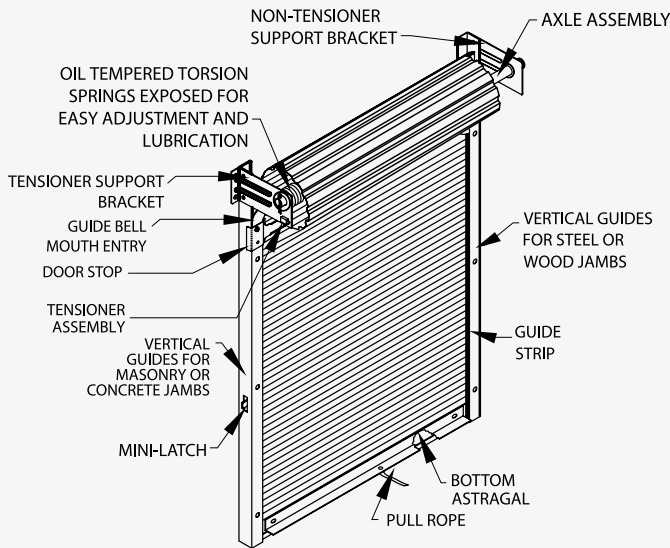
# 650 SERIES

PRE-ENGINEERED BUILDINGS

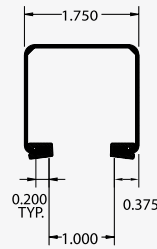


## LIGHT-DUTY ROLL-UP

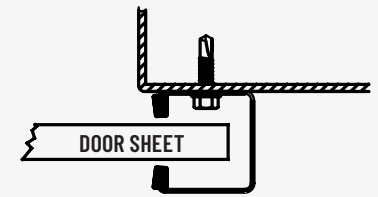
### INTERIOR ELEVATION



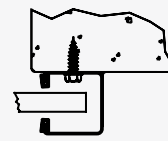
### GUIDE DETAIL



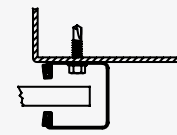
### DOOR ENGAGEMENT



### GUIDE MOUNTING



MASONRY MOUNT



STEEL MOUNT



WOOD MOUNT

### CURTAIN

- 26-gauge galvanized, Grade E hard steel
- 5/8" ribbed corrugation
- All latches accept double locks and 7/16" shackles
- Max opening size 10' x 10'

### BOTTOM BAR

- 6063 - T6 aluminum extrusion
- 1 1/2" x 1 1/2" galvanized angles
- Replaceable bulb astragal

### AXLE-DRUM ASSEMBLY

- 1 5/16" O.D. steel axle, 14-gauge
- Utilizes 9 1/2", 18-gauge drums
- Oil tempered e-coated torsion springs, available in two springs upon request from 7' to 10' wide
- Fully accessible springs for inspection and maintenance

### GUIDE SYSTEM

- 18-gauge galvanized steel
- Pre-punched holes for anchors, slide latch, bracket attachment and head stop attachment
- Polyethylene guide strips provide easy, quiet operation

### HARDWARE

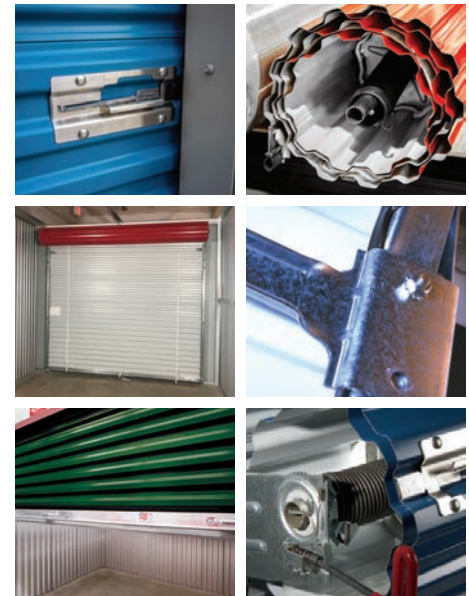
- 12-gauge head stops have slotted mounting holes for proper attachment
- 14-gauge galvanized steel handles
- 12-gauge tension bracket made for additional strength
- Shielded radial bearings for smooth operation
- Gear-driven tensioning bracket allows for smooth adjustment
- 12-gauge bearing bracket on right side
- Stainless steel standard latch

### OPTIONS

- Top and side draft stop
- Weatherizing Storage Door Curtains™
- Available in 24 colors, subject to availability and varying lead times

### MINIMUM CLEARANCE

- For proper exterior door installation, a 1/2" deep rain lip must be formed in the concrete slab extending a minimum of 3 1/2" from the interior face of the jamb.



The 650 Series is wind rated up to 8'8" wide and approximately 90 MPH.